

## IMX-N840

### Features

- Multichannel amplifier with modulated infrared light
- 8-channel installation system for tight assembly without cross talk
- Range up to 40 m (131 ft)
- Sensitivity for each channel adjustable
- One relay output for each channel (normal open)
- System power 20%/100% selectable by bit switch
- Programmable light/dark function
- Adjustable switch-on and switch-off delay for channel one
- Light curtain mode
- Master-slave mode
- Transmitter and receiver terminals are short circuit proof

### Ordering Table

Operation voltage	Order code
230 V AC	IMX-N840/230VAC
115 V AC	IMX-N840/115VAC
24 V AC	IMX-N840/24VAC
24 V DC	IMX-N840/24VDC

Accessories	Order code
Protective enclosure	PanBox 1x8

### Safety Instructions



The infrared light barriers IMX-N840 are not safety systems and should not be used as such systems. The devices are not to be used for applications, where personal safety is dependent on their function.

### Short Description

On the 8-channel multiplexer with manual gain setting can work up to eight Sensor heads (transmitter and receiver) without the possibility of cross talk.

The multiplexer has one relay output (normal open) and a yellow status LED for each channel.

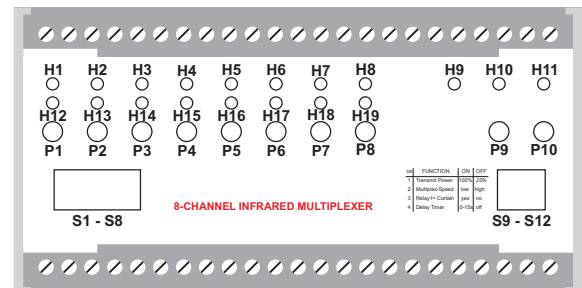
Different working conditions can be selected, according to the application, for each channel on the front side of the device by easy accessible DIP-switches. Consequently, the user is able to change the sensitivity value, which is adjusted to needed range and pollution, for increasing the fine adjustment of the potentiometer or to optimize the object recognition. The light curtain mode enables, that all outputs have an effect on the output from channel number one.

If more than eight channels are required, multiple 8-channel multiplexers can be connected to synchronize them by master-slave operation. In this way, an influencing signal between the multiplexers will be prevented.

Infrared transmitters and receivers in different, compact and robust designs are described in the sensor heads datasheet.



### Device Overview



### Displays and operating elements

- H1-8 – Output status indicator (yellow)
- H9 – Slave operation indicator (yellow)
- H10 – Light curtain mode (yellow)
- H11 – Power ON indicator (green)
- H12-19 – Sensitivity indicator (green)
- P1-8 – Sensitivity adjusters (channel 1 - 8)
- P9 – Switching ON delay (relay no. 1)
- P10 – Switching OFF delay (relay no. 1)
- S1-8 – Switching mode (channel 1 - 8)
- S9-12 – Functions

### Dipswitch S1-S12

Switching mode			
S1 (channel 1)	S2 (channel 2)	S3...S8 (channel 3...8)	
	light		light
	dark		dark
		etc.	

S9 - transmit power <sup>1</sup>		S10 - Multiplex speed <sup>1</sup>	
	20 %		16 ms (high) <sup>1</sup>
	100 %		32 ms (low) <sup>1</sup>

S11 - Light curtain function (Output 1 = curtain) <sup>1</sup>		S12 - Time delay (Delay Timer) <sup>1</sup>	
	inactive (no) <sup>1</sup>		inactive (off) <sup>1</sup>
	active (yes) <sup>1</sup>		0 - 15 s

<sup>1</sup> Inscription front label

## IMX-N840

### Technical Data (at 20 °C / 68 °F)

Operating voltage ...AC	230 V AC, 115 V AC, 24 V AC / ±10%	
Operating voltage ...DC	24 V DC / ±10%	
Power consumption (max.)	...AC: 10 VA	...DC: 10 W
Power loss (max.) (EN 61439)	...230 VAC: 6,0 W	...24VDC: 5,6 W
	...115 VAC: 6,2 W	
	...24VAC: 6,2 W	
Operating basis	modulated infrared light	
Transmit frequency	4,0 kHz	
Transmit power	manual	
Basic transmit level	low / high	
Switching behavior	light / dark	
Multiplex speed	low: 68 ms (15 Hz)	
	high: 34 ms (30 Hz)	
Switching delay	0...15 s	
Light curtain function	yes	
Master slave function	yes	
MTBF (IEC 61709)	0,7 · 10 <sup>6</sup> h (T <sub>ambient</sub> = 40 °C / 104 °F)	
Operation temperature	-25 °C ... 60 °C (-13 °F ... 140 °F)	
Storage temperature	-40 °C ... 80 °C (-40 °F ... 176 °F)	
Housing material	plastic (Makrolon 8030)	
Protection class (EN 60529)	IP20	

Mounting	top hat rail EN 60715 or 2 holes (DIN 46121)	
Electrical connection	screw terminal, 4,0 mm <sup>2</sup>	
Tightening torque (max.)	0,4 Nm	
Mounting orientation	free	
Dimensions (mm)	L 75 x B 150 x H 110	
Switching output	1 normal open per channel	
Switching data (max.)	5 A / 230 V AC (24 V DC)	
Reaction time T <sub>ON</sub> / T <sub>OFF</sub>	45 ms / 45 ms	
Switching frequency	12 Hz	
Alarm output	—	
Test input	—	
Analog output	—	
COM interface	—	
max. Range (through beam)	Receiver IRL-...	Receiver IR-..., IRH-...
Transmitter IT-..., ITL-...	10 m (33 ft)	20 m (66 ft)
Transmitter IT-...HP, ITH-...	15 m (49 ft)	30 m (98 ft)
Transmitter ITA-...	20 m (66 ft)	40 m (131 ft)

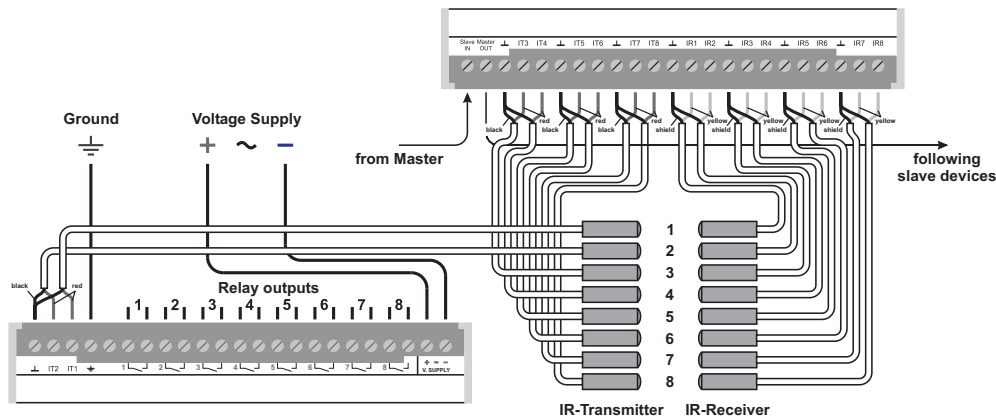
### Connection Diagram



**Caution!**

Before connecting the amplifier, look on the type plate and check if the power supply is the same as the connection value. Other values can impair the unit functions or destroy the amplifier.

The AC-supply devices are isolated from main. A grounded connection on the low voltage side is required. In synchronized operation of multiple devices (master/slave), we recommend installation using short connecting cables.



### Dimensions (in mm)

